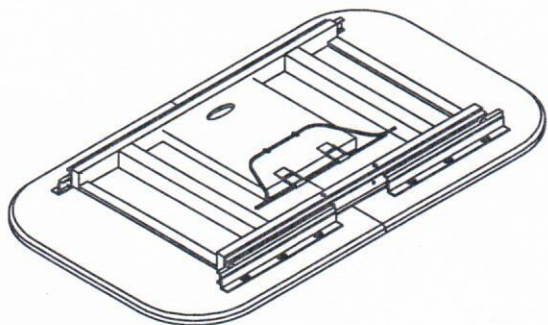
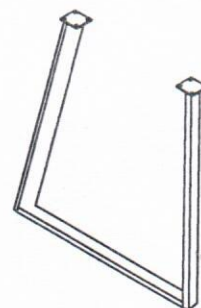


NÁVOD NA MONTÁŽ - HT-804/HT-806



① x1



② x2

A (M8x25MM) x16



B (Ø18x1.5mm) x 16



C (M8) x 16



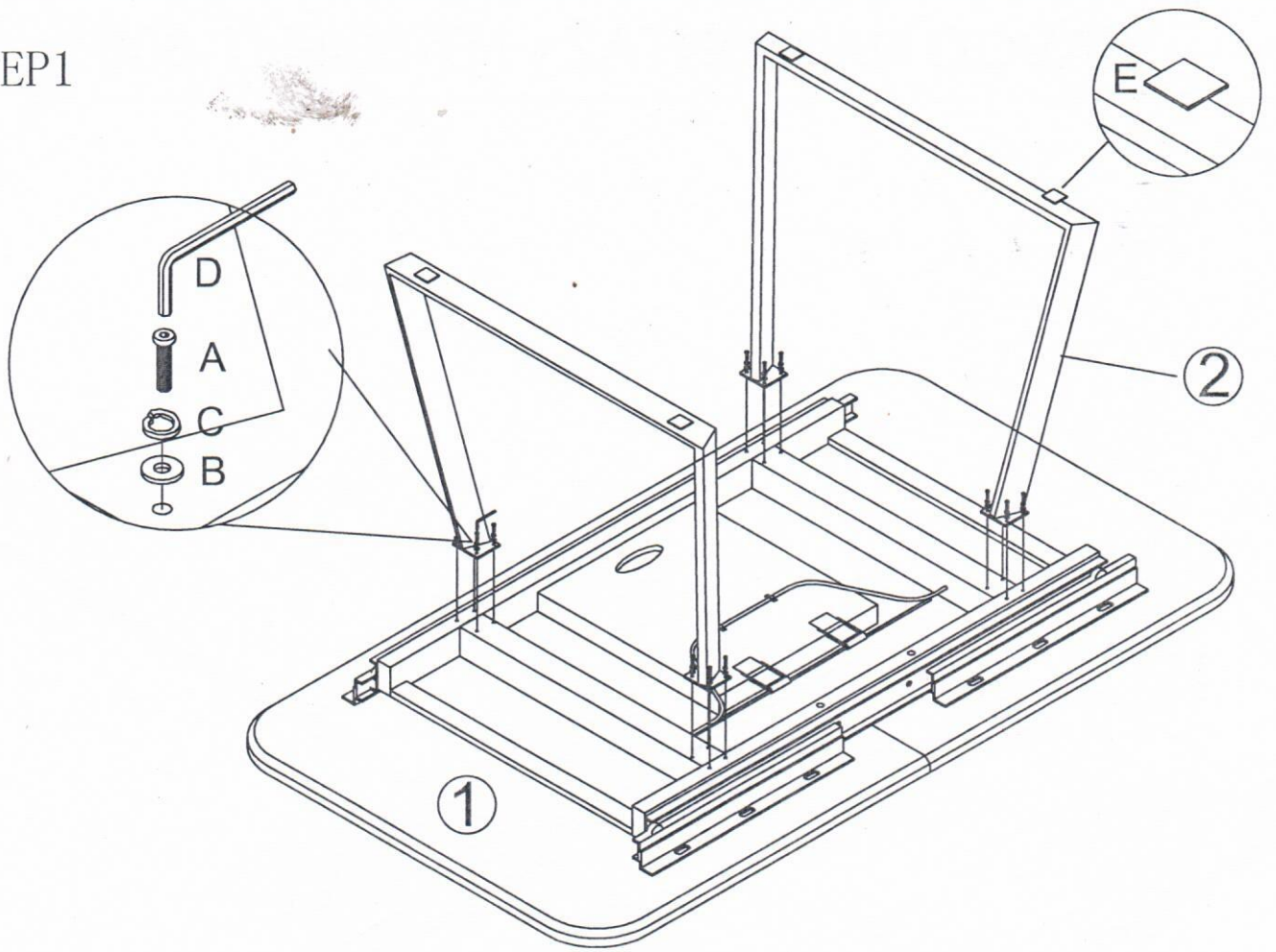
D (M5) x1



E x4



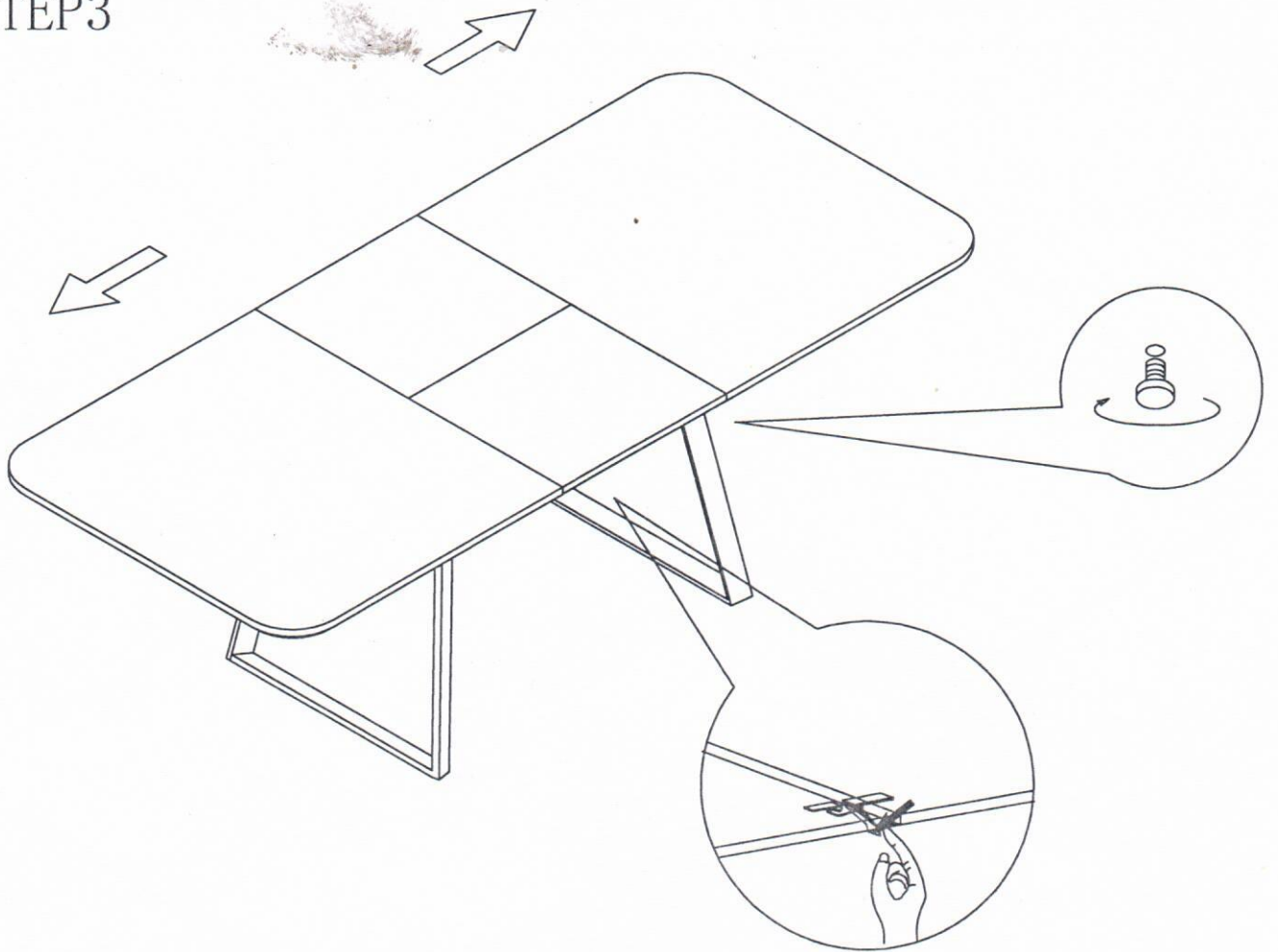
STEP 1



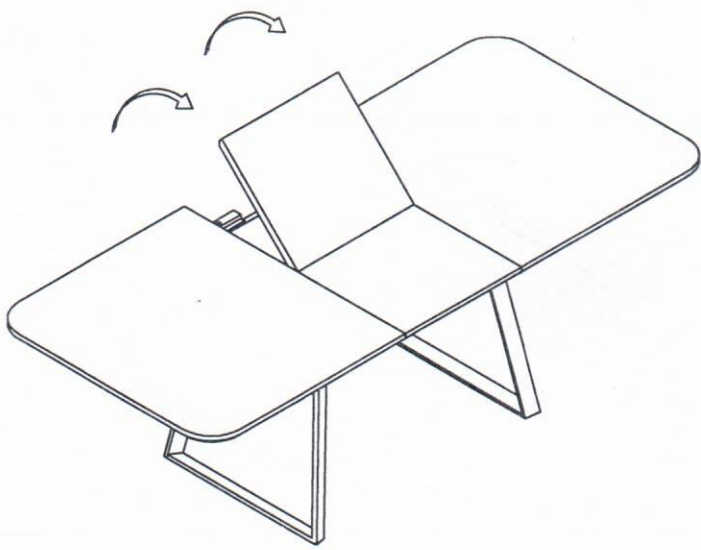
STEP 2



STEP3



STEP4



STEP5

